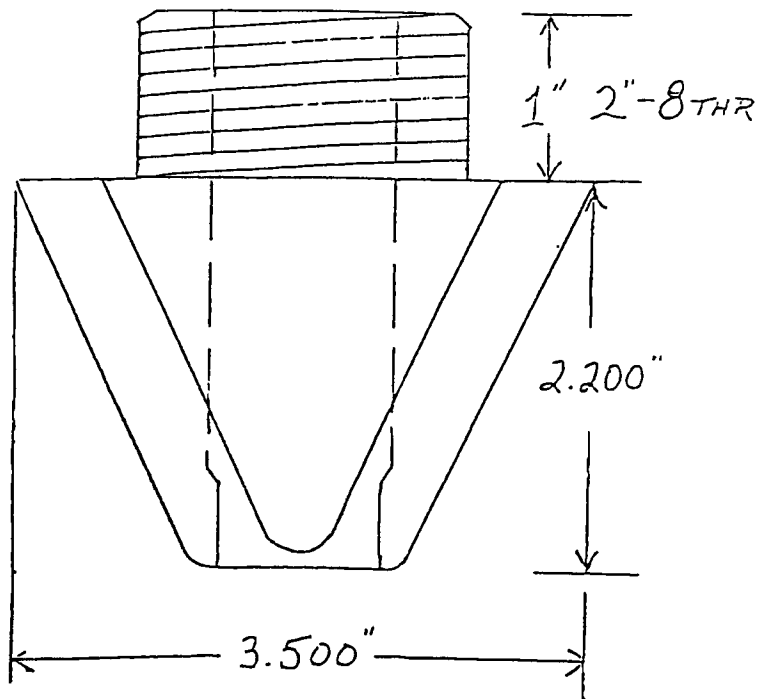
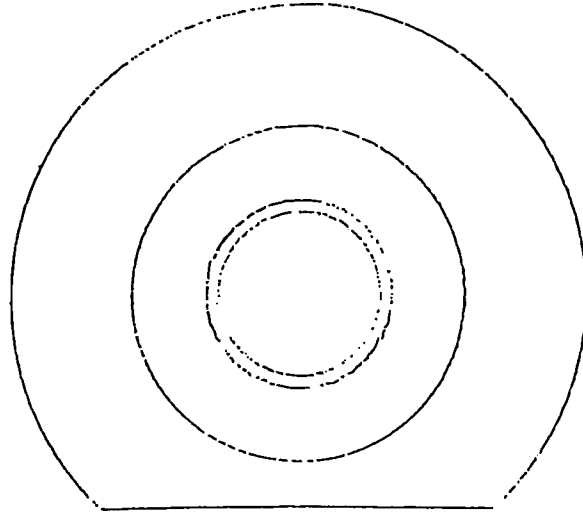


DIKE-O-SEAL, INC



REGULAR DEEP BASIN WITH ONE FLAT SIDE

(SPRUE DIA.: 1/2"; 5/8"; 3/4"; 7/8"; and 1")
(PART NO. 32010P; 32020P; 32030P; 32040P; and 32050P respectively)