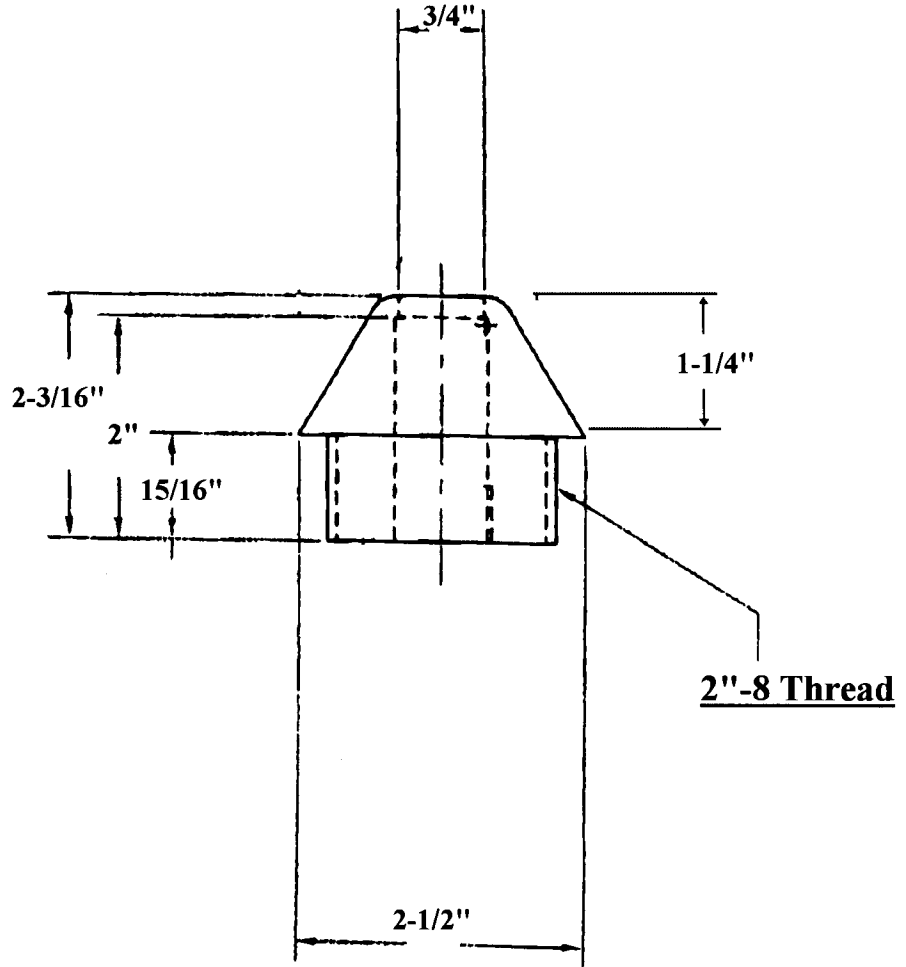


DIKE-O-SEAL, INC.



ROUND SPRUE CUP
PART NO. 210221P