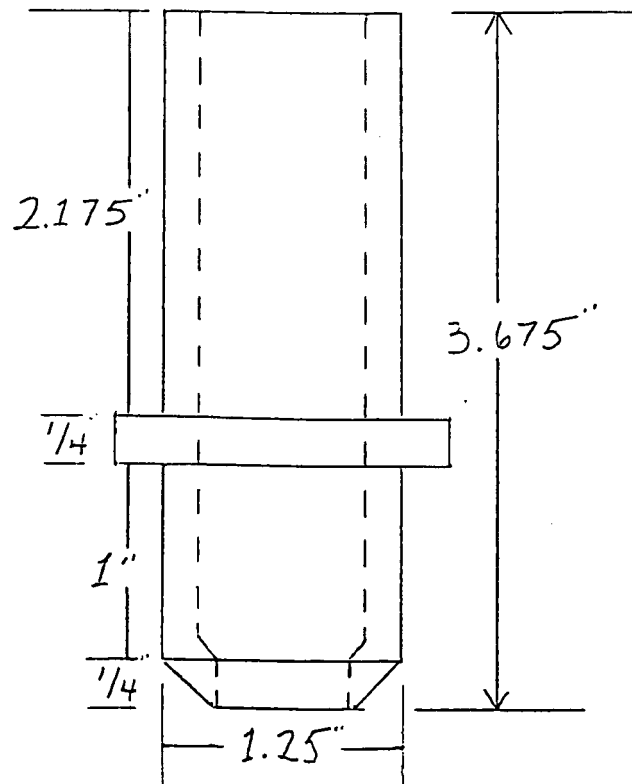
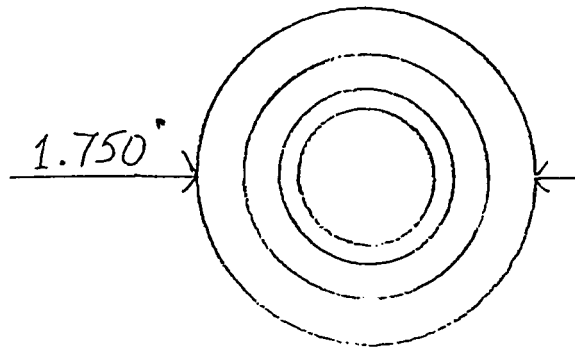


# DIKE-O-SEAL, INC



## BASIN LINER

(PART NO.: 33008P - SPRUE DIA. 5/8")

(PART NO.: 33009P - SPRUE DIA. 1/2")

(PART NO.: 33010P - SPRUE DIA. 3/4")